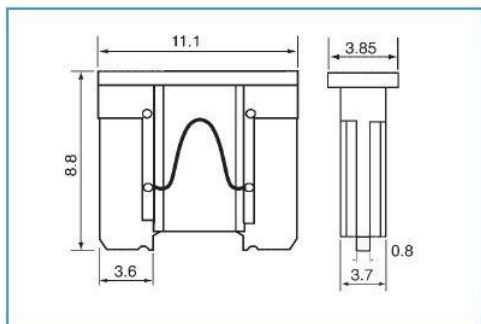


**SPECIFICATION FOR APPROVAL**

- 一. NAME : Flat Feet MINI BLADE FUSE ( MINI )
- 二. APPLICABLE RANGE : NO MORE THAN 32VDC
- 三. DIMENSIONAL DRAWING :



- 四. ELECTRICAL ( OPEN TIME ) :

Load ( Test Current )	Opening time
110%	>4h
200%	0.15-5(s)

- 五. APPEARANCE: The appearance of the insurance film, which must not be harmful when used

- 六. MATERIAL :

PART NAME	MATERIAL
FUSIBLE	Zinc, tin, copper, silver or alloys with these as main components
Plastic body	PA66 PLASTIC

- 七. Labeling: the specification (rated current) label of the fuse, printed on the top cover of the plastic body. The font cannot disappear and it is obvious and easy to see. The colors of different specifications (rated current) are as follows :

Current ( A )	Color	Current ( A )	COLOR
5	TAN	25	NATURAL
7.5	BROWN	30	GREEN
10	RED	2	Light Gray
15	BLUE	3	Deep purple
20	YELLOW	35	Light purple
40	Light Brown		

\*If the color is similar or changed, the number on the top cover of the product shall prevail.